

PROVECTA-V™ MOBILE DENTAL VETERINARY X-RAY

AT LAST... A TUBEHEAD THAT STAYS WHERE YOU POSITION IT.



The Provecta-V™ Mobile Veterinary Dental X-ray is designed for unmatched stability and precise, drift-free positioning of the tubehead. This fine engineering, coupled with versatile operation delivers optimum image quality to give you peace-of-mind.



 **ALLPRO** IMAGING

PRECISE POSITIONING OF THE TUBEHEAD

The Provecta-V Mobile arm is constructed of an aircraft grade, high-strength aluminum alloy known for exceptional rigidity. Special composite bearings facilitate near frictionless motion. These design refinements enable the arm to resist the innate tendency of the tubehead to drift. Plus, motion is damped at every pivot point by adjustable braking.

VERSATILE OPERATION, AUTOMATIC OR MANUAL

All exposure values are pre-programmed yet manually adjustable to suit your individual preferences, and your custom settings can be stored in memory. Choose from a variety of tooth icons. The exposure time may be set to read in seconds or pulses. And, 1:32 duty cycle allows shorter times between exposures without worry of the tubehead overheating.

SUPERB RESULTS, DIGITAL OR FILM

Whether you use film or require ultra-short digital exposure times, you can switch instantly between both mediums by pressing a single icon. No guesswork. All settings are automatically programmed.

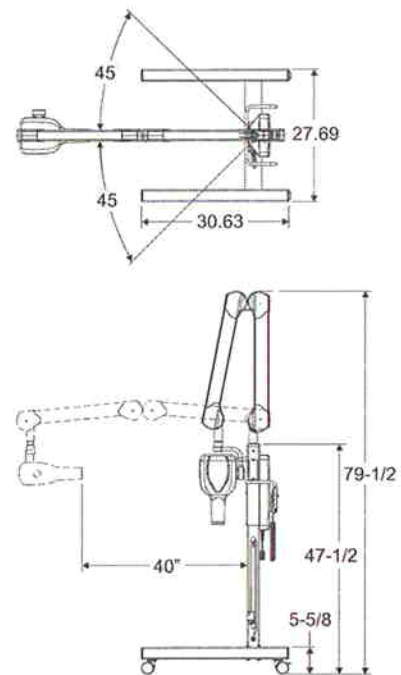


Complete Imaging Control

- A variety of animal and tooth icons.
- Fully automatic or pre-programmed operation.
- Choose Film or Digital.
- Exposure settings automatically adjust for changes in line voltage.

SPECIFICATIONS

X-ray tubehead:	70 kVP, 8 mA; 360 tubehead rotation
Focal distance:	8" (20 cm)
Focal spot:	0.8 mm
Electrical:	120V, 60 Hz
Object field:	2 3/8" (6 cm) at collimator tip
Duty cycle:	1:32 seconds
Exposure time:	displays in seconds or pulses
Exposure range:	from 0.02 seconds (1 pulse) to 3.20 seconds (192.0 pulses)
Scissor Arm & Tubehead Extension:	40" Inside reach from center post
Scissor Arm & Tubehead Movement:	45 degree angle left or right from center post
Unit weight:	155 lbs.
Shipping weight:	170 lbs.



THE IMAGING EXPERTS

www.allproimaging.com

Contact your authorized ALLPRO IMAGING dealer or call direct: 800.247.8324 ext 5611
70 Cantiague Rock Road, P.O. Box 870, Hicksville, New York 11802 • 516.433.7676 • Fax 516.433.7683

Part Nr. 9922-192 Rev A ©ALLPRO IMAGING